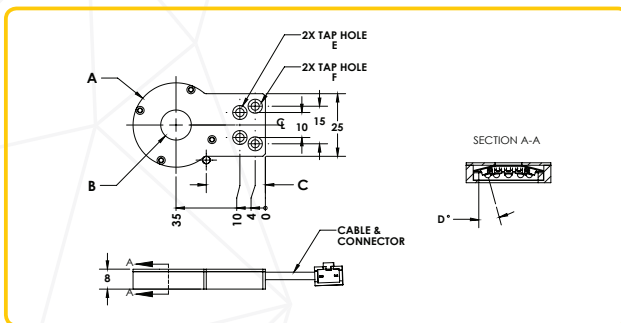
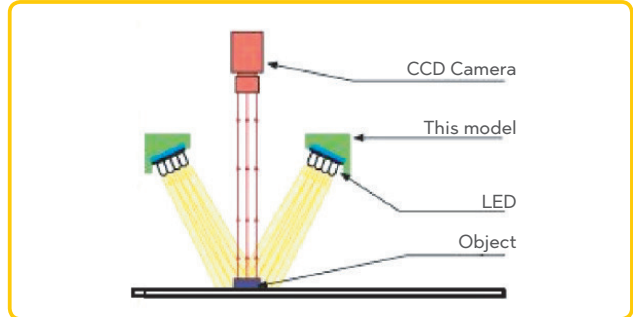


LSQ STACKABLE SERIES – 00°, 15°, 30°, 45°

LSQ stackable series provides 4 different angles of lighting for multiple observations during inspection. Illumination from different angles provide slightly different results.

Applications: Substrate Inspection, Label Inspection, Flat Surface, Fiducial Recognition



Technical Specification:

- Colour Red, Green, Blue and White
- 24V DC Input Power
- Continuous and Strobe Applications
- Compact Size

LED Wavelength
Red Led - 630nm
Green Led - 525nm
Blue Led - 470nm

Model	Dimensions (MM)						Color	Voltage / Watt	Current	Weight (g)
	A	B	C	D	Tap Hole E	Tap Hole F				
LSQ-00-033-1-X	34	12	23	0	M4	Ø3.2	● ● ○ ● ● ○	24V / 0.36W 24V / 0.72W	15mA 30mA	29
LSQ-00-045-1-X	46	24	15	0	M3	Ø3.2	● ● ○ ● ● ○	24V / 0.72W 24V / 1.44W	30mA 60mA	32
LSQ-00-051-1-X	52	33.5	11	0	Ø3.2	M3	● ● ○ ● ● ○	24V / 0.72W 24V / 1.44W	30mA 60mA	33
LSQ-15-033-1-X	34	12	23	15	M4	Ø3.2	● ● ○ ● ● ○	24V / 0.36W 24V / 0.72W	15mA 30mA	29
LSQ-15-045-1-X	46	24	15	15	M3	Ø3.2	● ● ○ ● ● ○	24V / 0.72W 24V / 1.08W	30mA 45mA	30
LSQ-15-051-1-X	52	33.5	11	15	Ø3.2	M3	● ● ○ ● ● ○	24V / 0.72W 24V / 1.44W	30mA 60mA	31
LSQ-30-033-1-X	34	12	23	30	M4	Ø3.2	● ● ○ ● ● ○	24V / 0.36W 24V / 0.72W	15mA 30mA	29
LSQ-30-045-1-X	46	24	15	30	M3	Ø3.2	● ● ○ ● ● ○	24V / 0.72W 24V / 1.44W	30mA 60mA	31
LSQ-30-051-1-X	52	33.5	11	30	Ø3.2	M3	● ● ○ ● ● ○	24V / 0.72W 24V / 1.44W	30mA 60mA	31
LSQ-45-033-1-X	34	12	23	45	M4	Ø3.2	● ● ○ ● ● ○	24V / 0.36W 24V / 0.72W	15mA 30mA	29
LSQ-45-045-1-X	46	24	15	45	M3	Ø3.2	● ● ○ ● ● ○	24V / 0.72W 24V / 1.08W	30mA 45mA	30
LSQ-45-051-1-X	52	33.5	11	45	Ø3.2	M3	● ● ○ ● ● ○	24V / 1.08W 24V / 1.44W	45mA 60mA	31