

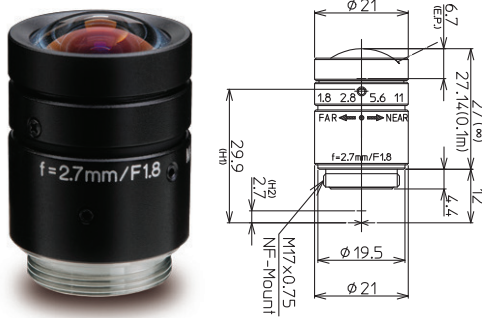
# 1/3" NF-MOUNT

LM3NF LM5NF LM9NF

## Compact NF-mt. lens Series

- ▶ Introducing the lineup of megapixel NF-mount lenses. The compact body and high resolution design will maximize the performance of NF-mount camera.

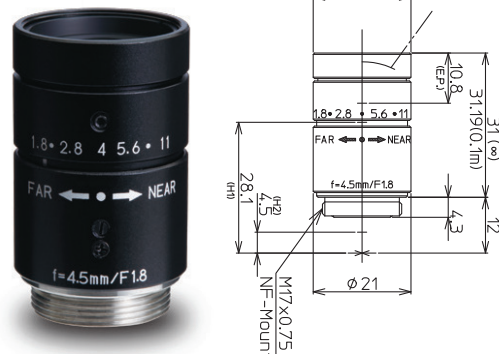
LM3NF



Model	LM3NF
Focal Length(mm)	2.7
Image Size(mm)	4.8×3.6(Φ6)
Iris Range(F-stop)	F1.8~F11
Focusing Range(m)	0.1~∞
Control	Iris Focus
	Manual Manual
Shooting Range at M.O.D.(mm)	262.7(H)×167.8(V)
Angle of View(Degrees) 1/3 Inch	102.3×76.7
TV Distortion(%)	-7.3
Back Focus in Air(mm)	7.8
Mount	NF-mount
Size(mm)	Φ21×27
Weight(g)	30
Temperature Range	-10°C~+50°C



LM5NF



Model	LM5NF
Focal Length(mm)	4.5
Image Size(mm)	4.8×3.6(Φ6)
Iris Range(F-stop)	F1.8~F11
Focusing Range(m)	0.1~∞
Control	Iris Focus
	Manual Manual
Shooting Range at M.O.D.(mm)	122.9(H)×89.9(V)
Angle of View(Degrees) 1/3 Inch	59.2×45.0
TV Distortion(%)	-2.8
Back Focus in Air(mm)	8.1
Mount	NF-mount
Size(mm)	Φ21×31
Weight(g)	35
Temperature Range	-10°C~+50°C



LM9NF



Model	LM9NF
Focal Length(mm)	9
Image Size(mm)	4.8×3.6(Φ6)
Iris Range(F-stop)	F1.8~F11
Focusing Range(m)	0.1~∞
Control	Iris Focus
	Manual Manual
Shooting Range at M.O.D.(mm)	58.1(H)×43.3(V)
Angle of View(Degrees) 1/3 Inch	30.2×22.8
TV Distortion(%)	-0.6
Back Focus in Air(mm)	8.6
Mount	NF-mount
Size(mm)	Φ22×34
Weight(g)	40
Temperature Range	-10°C~+50°C



† Images may differ from the actual product.

4/3" 9MEGA 1/1.2" 12MEGA 1" 6 MEGA 1" MEGA 1" RUG 10 MEGA 5 MEGA 3 MEGA WIDE MEGA 2/3" MEGA 2/3" RUG 2/3" JC 1/1.8" NCL SWIR NIR NIR LF LINE SCAN QIS NF 3CCD NCS MACRO TELECENTRIC VARIOFOL